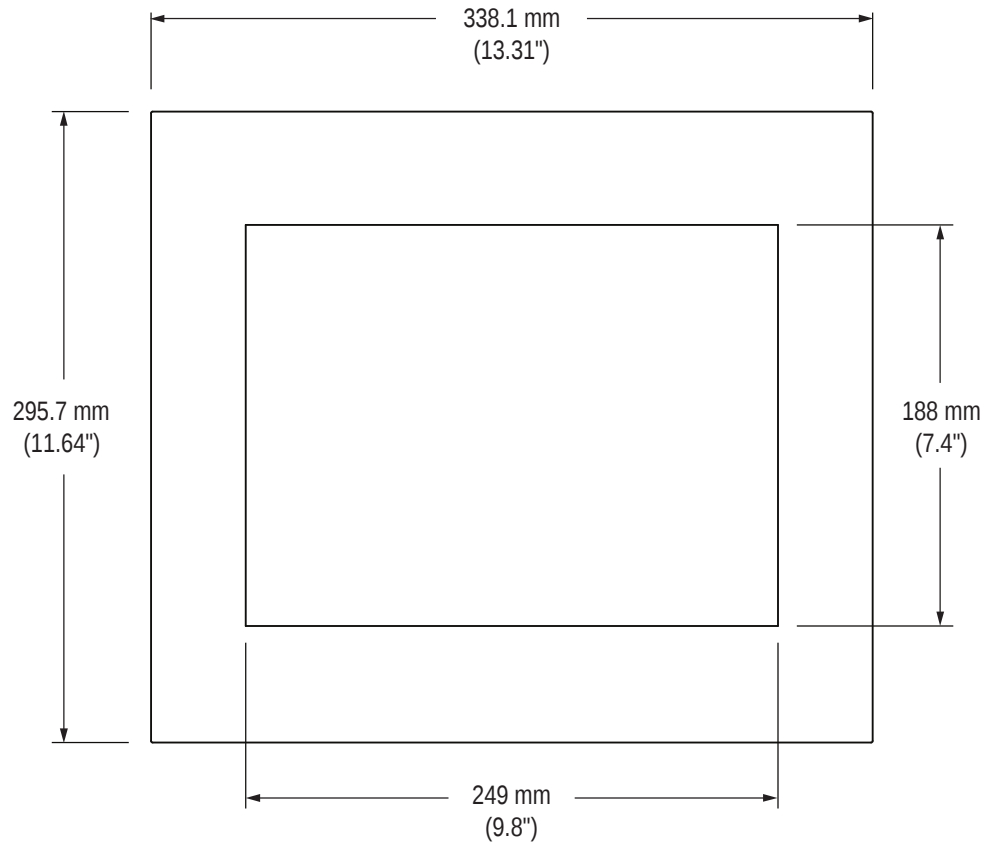
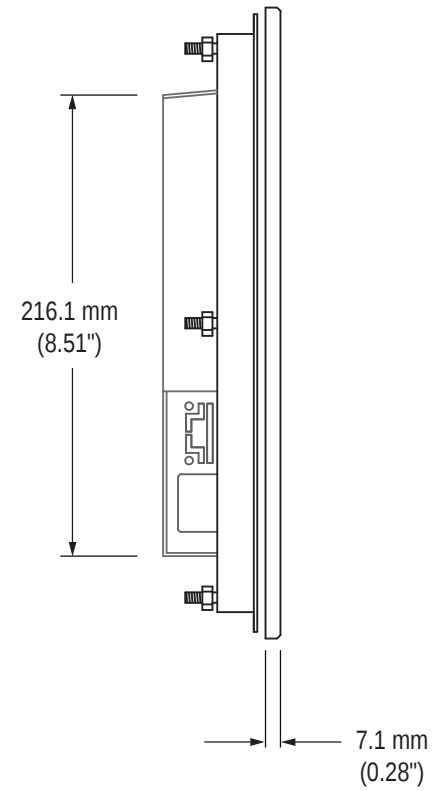


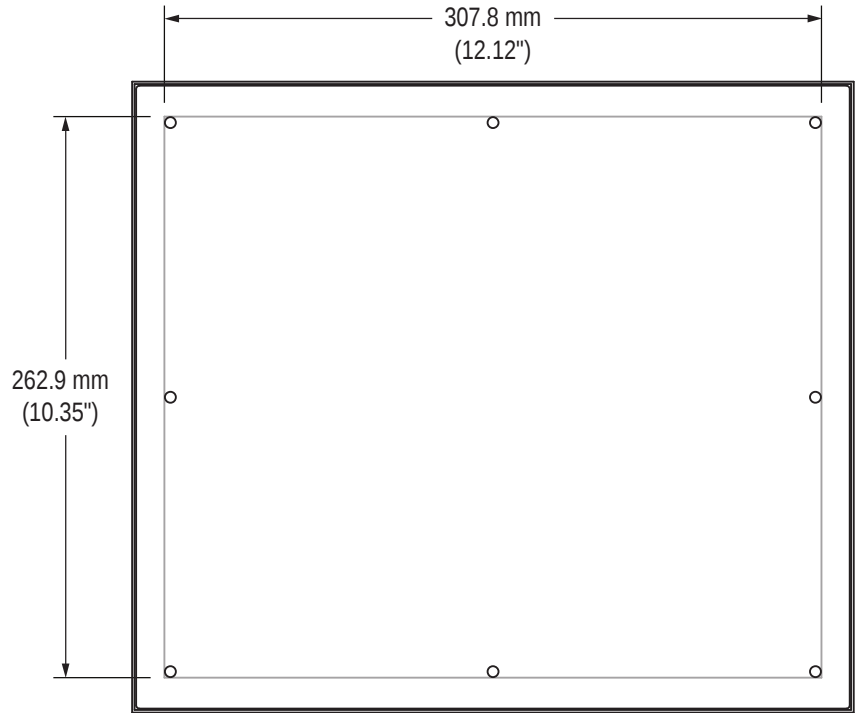
Front View



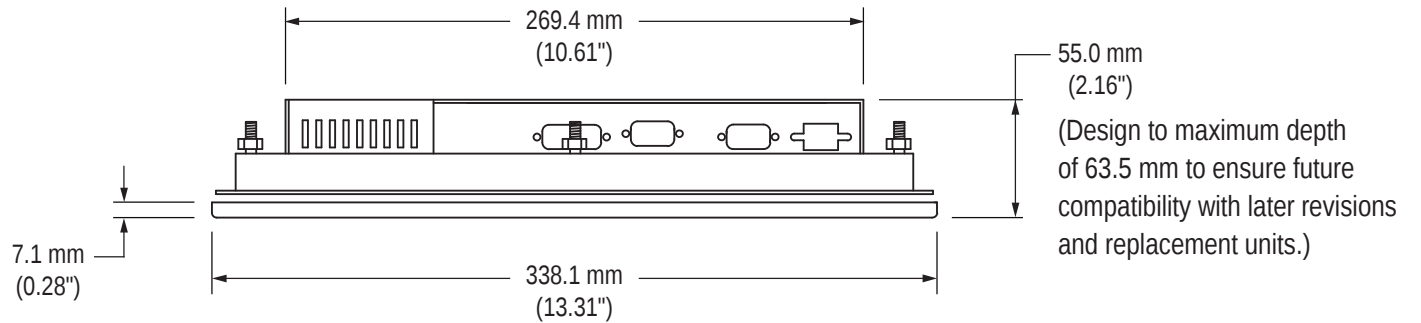
Side View



Rear View (showing Cutout Dimensions)

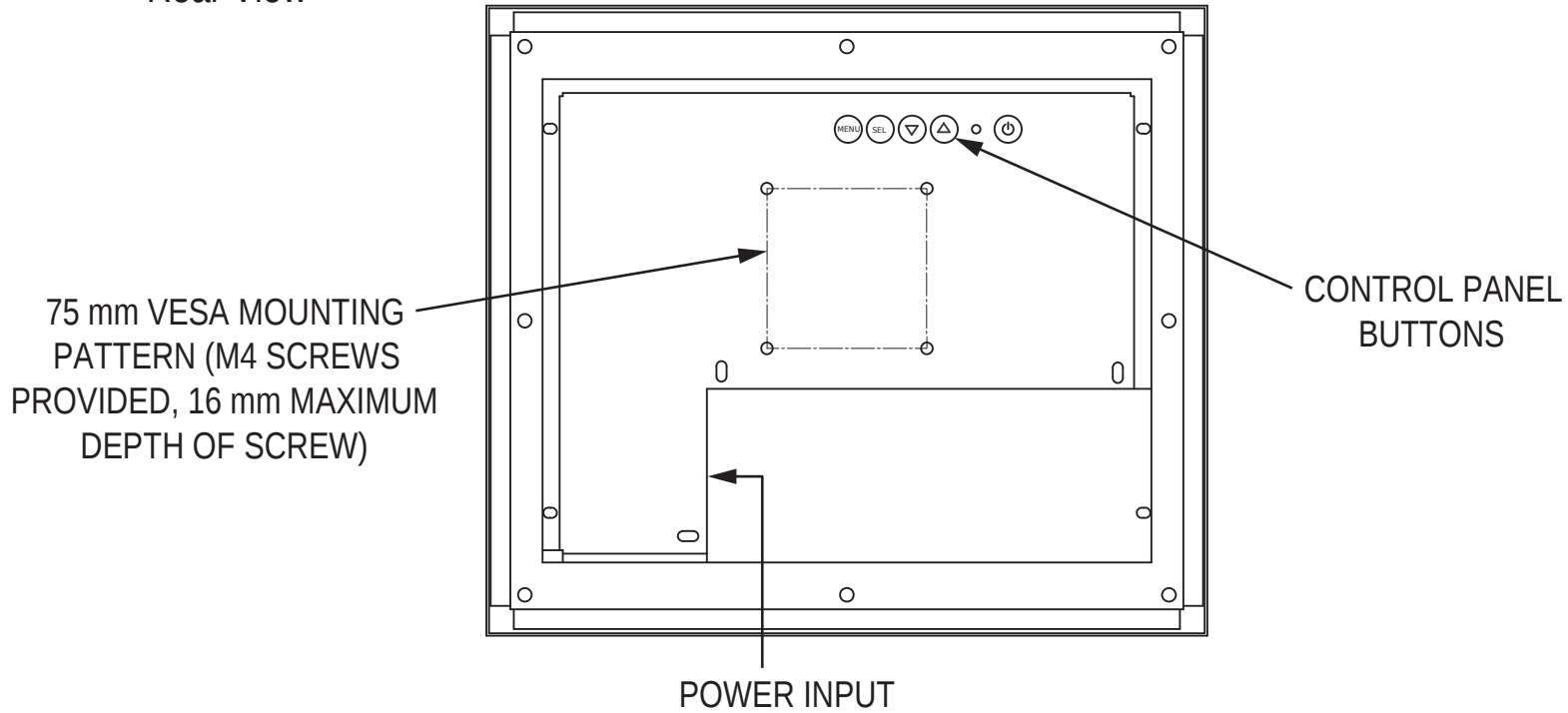


Bottom View



### Cable Connections

Rear View



Bottom View

