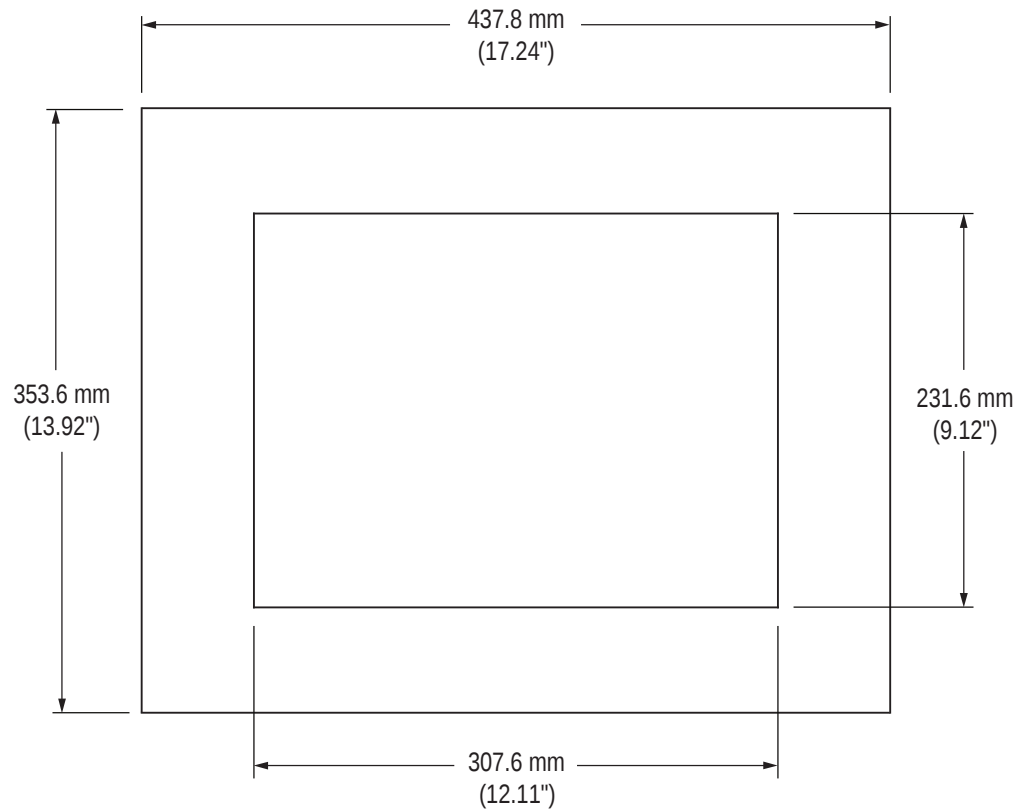
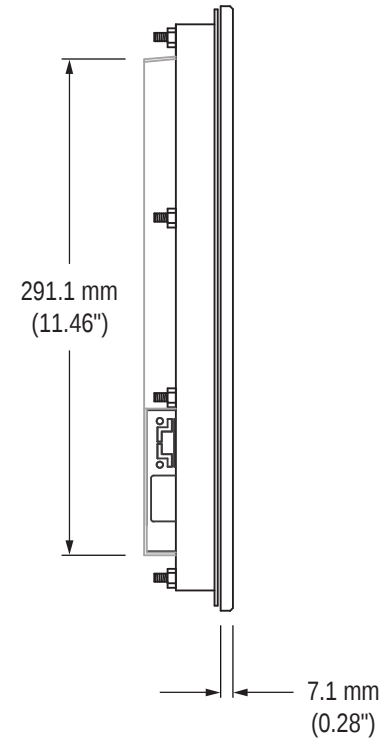


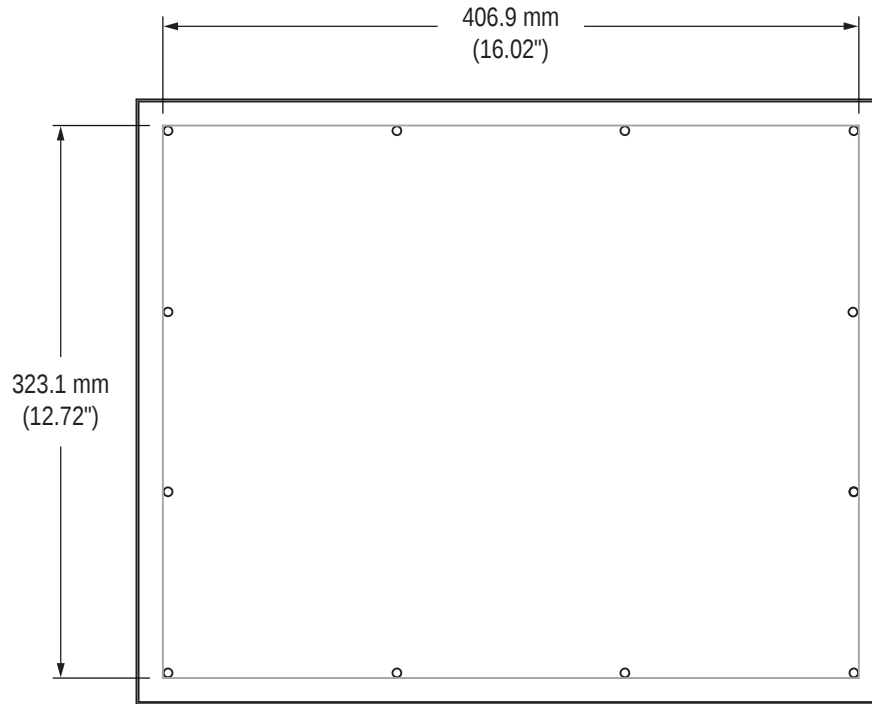
Front View



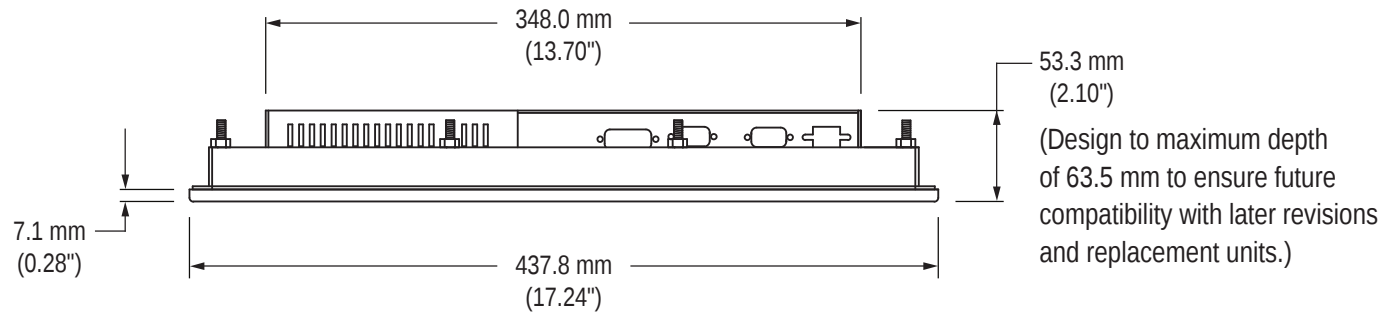
Side View



Rear View (showing Cutout Dimensions)



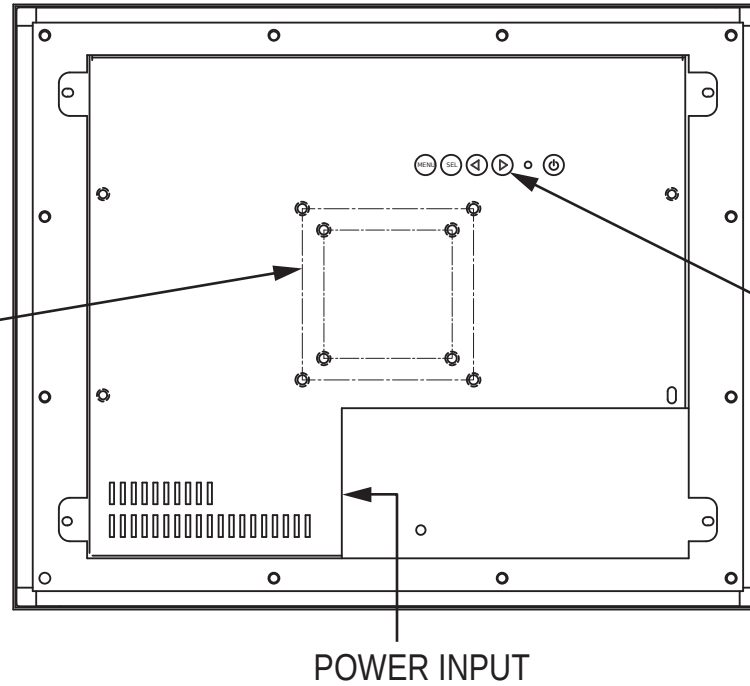
Bottom View



Cable Connections

Rear View

75 and 100 mm VESA
MOUNTING PATTERN
(M4 SCREWS PROVIDED,
16 mm MAXIMUM DEPTH
OF SCREW)



CONTROL PANEL
BUTTONS

POWER INPUT

Bottom View

